

No. 337 / USA 19 **4th prolongation**  
**CERTIFICATE OF JUMPING HILL**  
**CERTIFICAT DE CONFORMITE**  
**SCHANZENPROFILBESTÄTIGUNG**

Date of issue 25.02.2022  
 Établi le  
 Ausgestellt am

Valid till 30.04.2027  
 Valable jusq' au  
 Gültig bis

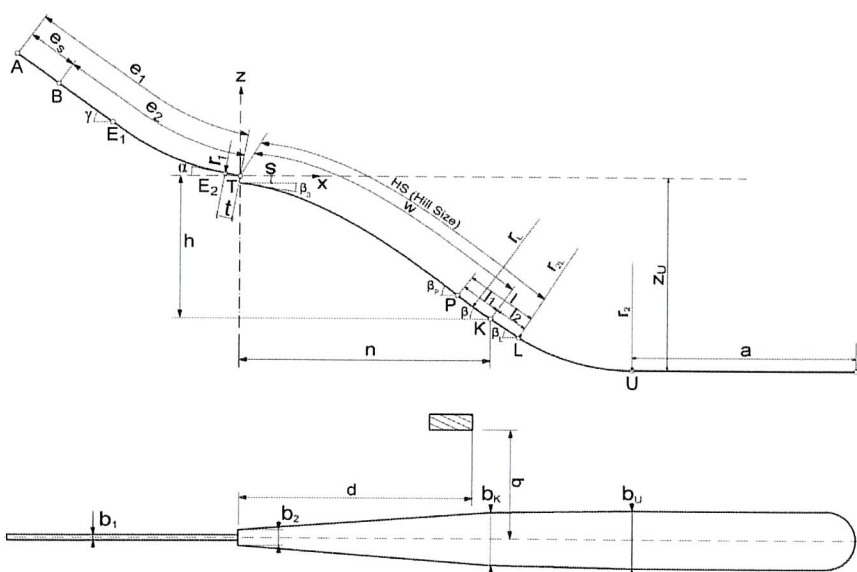
Place: Park City

Name: Utah Olympic Park K90

HS = 100 m

$h/n = 0,55$

Vo = 23,70 m/s



$e_1 = 87,88 \text{ m}$		$s = 2,30 \text{ m}$	$P = 78,26 \text{ m}$
$e_s = 18,58 \text{ m}$	36 gates $e=53\text{cm}$ à $40 \times 44 \text{cm}$	$l_1 = 10,30 \text{ m}$	$K = 90,00 \text{ m}$
$e_2 = 69,30 \text{ m}$		$l_2 = 10,00 \text{ m}$	$L = 100,00 \text{ m}$
$t = 6,30 \text{ m}$		$a = 91,00 \text{ m}$	$b_1 = 3,18 \text{ m}$
$\gamma = 35,00^\circ$		$\beta_p = 37,50^\circ$	$b_K = 18,00 \text{ m}$
$\alpha = 10,00^\circ$		$\beta = 35,00^\circ$	$b_U = 19,80 \text{ m}$
$r_1 = 82,00 \text{ m}$		$\beta_L = 32,87^\circ$	$d = 56,00 \text{ m}$
$h = 43,16 \text{ m}$		$r_L = 269,00 \text{ m}$	$q = 26,50 \text{ m}$
$n = 78,47 \text{ m}$		$r_2 = 104,00 \text{ m}$	

**Remarks / Bemerkungen**

- inspection by Richard Kaiser (10th June 2021) and release at 21.01.2022
- the remarks of the inspectionreport must be observed and fulfilled for the validity of certification.
- for fulfilling the (FIS ICR) standards of the jumpinghill, the owner is responsible during training and competition.

JUMPING HILL APPROVED BY THE FIS  
 TREMPLIN HOMOLOGUE PAR LA FIS  
 DURCH DIE FIS GENEHMIGTE SPRUNGSCHANZE

SUB-COMMITTEE FOR JUMPING HILLS

CHAIRMAN:



Hans-Martin Renn