

No. 117 / SUI 9 **1st prolongation after renovation inrun**

CERTIFICATE OF JUMPING HILL CERTIFICAT DE CONFORMITE SCHANZENPROFILBESTÄTIGUNG

Date of issue 27.11.2021
Établi le
Ausgestellt am

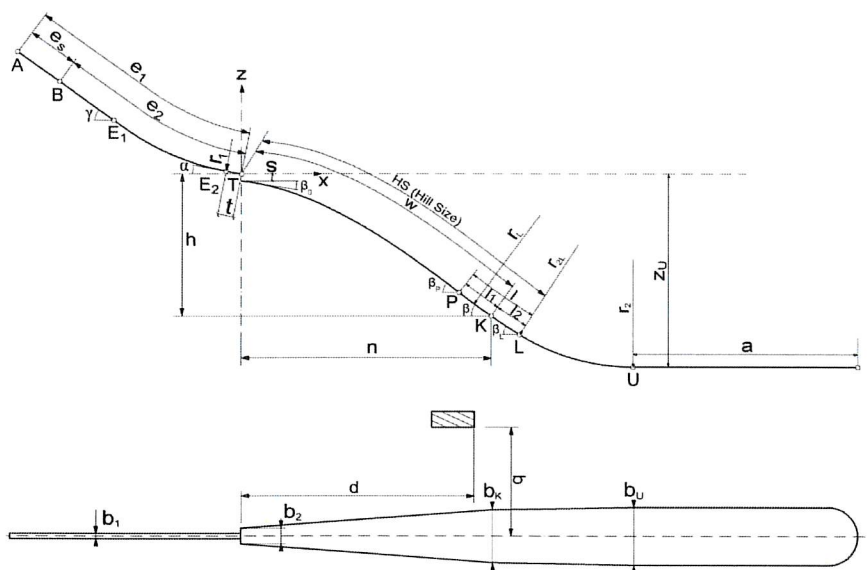
Valid till **27.11.2026**
Valable jusqu' au
Gültig bis

Place: Engelberg

Name: Gross-Titlis Schanze

HS = 140 m $h/n = 0,581$

Vo = 26,43 m/s



| | | |
|--|-----------------------------|-------------------------|
| $e = 99,00 \text{ m}$ | $l_1 = 16,20 \text{ m}$ | $z_U = 88,00 \text{ m}$ |
| $e_s = 22,00 \text{ m}$ 32 gates è = 40x55cm | $l_2 = 14,20 \text{ m}$ | $P = 108,80 \text{ m}$ |
| $t = 7,00 \text{ m}$ | $a = 90,00 \text{ m}$ | $K = 125,00 \text{ m}$ |
| $\gamma = 36,00^\circ$ | $\beta_p = 37,80^\circ$ | $L = 140,00 \text{ m}$ |
| $\alpha = 11,00^\circ$ | $\beta = 34,80^\circ$ | $b_1 = 2,50 \text{ m}$ |
| $r_1 = 101,10 \text{ m}$ | $\beta_L = 32,20^\circ$ | $b_K = 25,00 \text{ m}$ |
| $h = 62,50 \text{ m}$ | $r_L = 310,00 \text{ m}$ | $b_U = 27,50 \text{ m}$ |
| $n = 107,50 \text{ m}$ | $r_{2L} = 135,00 \text{ m}$ | $d = 75,00 \text{ m}$ |
| $s = 3,15 \text{ m}$ | $r_2 = 105,00 \text{ m}$ | $q = 23,50 \text{ m}$ |

Remarks / Bemerkungen

- inspection by Pierre Bailly (13th October 2021)
- the remarks of the inspection-report must be observed and fulfilled for the validity of certification.
- for fulfilling the FIS-ICR standards of the jumpinghill, the owner is responsible during training and competition.

JUMPING HILL APPROVED BY THE FIS
TREPLIN HOMOLOGUE PAR LA FIS
DURCH DIE FIS GENEHMIGTE SPRUNGSCHANZE

SUB-COMMITTEE FOR JUMPING HILLS

CHAIRMAN:



Hans-Martin Renn