

No. 303/NOR 43 2. Verlängerung

**CERTIFICATE OF JUMPING HILL**  
**CERTIFICAT DE CONFORMITE**  
**SCHANZENPROFILBESTÄTIGUNG**

Date of issue 11.11.2011  
Établi le  
Ausgestellt am

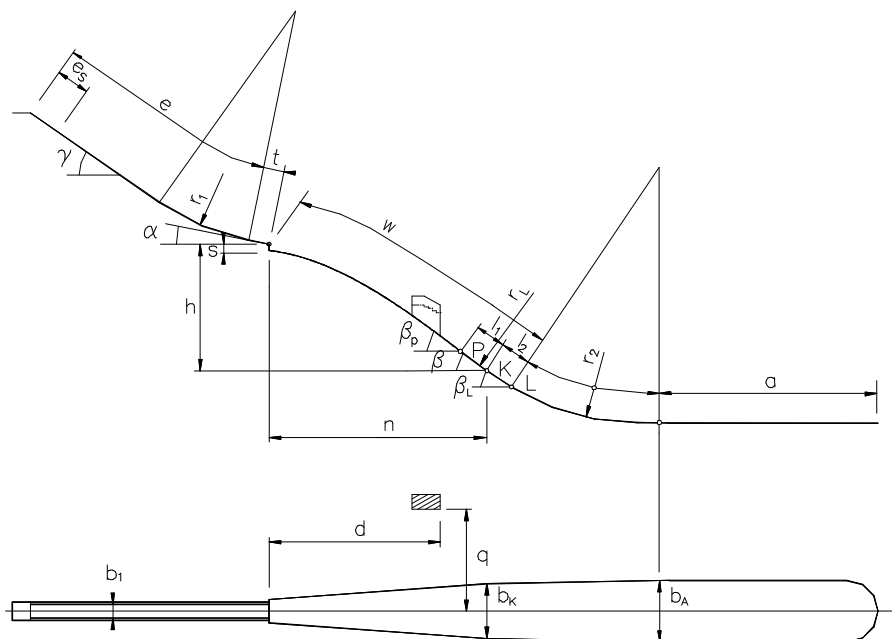
Valid till 31.12.2016  
Valable jusqu' au  
Gültig bis

Place: Lillehammer

Name: Lysgårdsbakkene

HS = 138 m h/n 0.574

Vo = 26.3m/s



e = 98.17 m	$l_1 = 14.54$ m	P = 108.46 m
$e_s = 21.77$ m	$l_2 = 14.94$ m	K = 123 m
t = 6.6 m	a = 100 m	L = 137.94 m
$\gamma = 34^\circ$	$\beta_p = 37^\circ$	$b_1 = 3.0$ m
$\alpha = 11.1^\circ$	$\beta = 34.5^\circ$	$b_K = 24.67$ m
$r_1 = 107$ m	$\beta_L = 31.9^\circ$	$b_A = 26.85$ m
h = 60.93 m	$r_L = 334.5$ m	d = 76.90 m
n = 106.14 m	$r_2 = 105.5$ m	q = 57 m
s = 3.35 m		

JUMPING HILL APPROVED BY THE FIS  
TREMPLIN HOMOLOGUE PAR LA FIS  
DURCH DIE FIS GENEHMIGTE SPRUNGSCHANZE

SUB-COMMITTEE FOR JUMPING HILLS

CHAIRMAN:

