

No.

313 / GER 56 4th prolongation

**CERTIFICATE OF JUMPING HILL
CERTIFICAT DE CONFORMITE
SCHANZENPROFILBESTÄTIGUNG**

Date of issue 05.08.2022
Établi le
Ausgestellt am

Valid till 31.04.2027
Valable jusq` au
Gültig bis

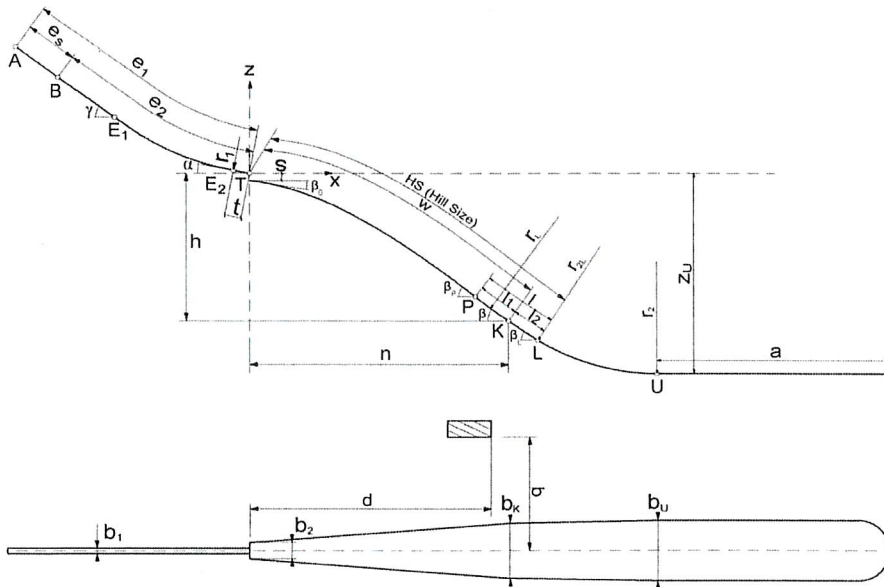
Place: Pöhla

Name: Pöhlaschanze

HS = 66 m

h/n = 0,510

Vo = 21,00 m/s



$e_1 = 61,30 \text{ m}$	$s = 2,00 \text{ m}$	$z_U = / \text{ m}$
$e_2 = 54,70 \text{ m}$	$l_1 = 4,20 \text{ m}$	$P = 55,80 \text{ m}$
$e_s = 6,60 \text{ m}$ 11 gates à 66cm (39/52cm)	$l_2 = 6,10 \text{ m}$	$K = 60,00 \text{ m}$
$t = 5,20 \text{ m}$	$a = 82,00 \text{ m}$	$L = 66,10 \text{ m}$
$\gamma = 37,40^\circ$	$\beta_p = 35,50^\circ$	$b_1 = 2,05 \text{ m}$
$\alpha = 9,50^\circ$	$\beta = 32,70^\circ$	$b_K = 12,00 \text{ m}$
$r_1 = 57,00 \text{ m}$	$\beta_L = 30,60^\circ$	$b_U = 13,40 \text{ m}$
$h = 27,12 \text{ m}$	$r_L = 120,00 \text{ m}$	$d = 41,00 \text{ m}$
$n = 53,18 \text{ m}$	$r_2 = 170,00 \text{ m}$	$q = 11,00 \text{ m}$

Remarks / Bemerkungen

1. inspection by Josef Slavik (22nd July 2022)
2. inspection report upgrade from 4th August 2022 (after worked out some mistakes)
3. the remarks of the inspection-report and inspection-remark must be observed and fulfilled for the validity of certification.
4. for fulfilling the (FIS/ICR) standards of the jumpinghills, the owner is responsible during training and competition.

JUMPING HILL APPROVED BY THE FIS
TREPLIN HOMOLOGUE PAR LA FIS
DURCH DIE FIS GENEHMIGTE SPRUNGSCHANZE

SUB-COMMITTEE FOR JUMPING HILLS

CHAIRMAN:



Hans-Martin Renn