

No.

FLY I / GER

CERTIFICATE OF JUMPING HILL CERTIFICAT DE CONFORMITE SCHANZENPROFILBESTÄTIGUNG

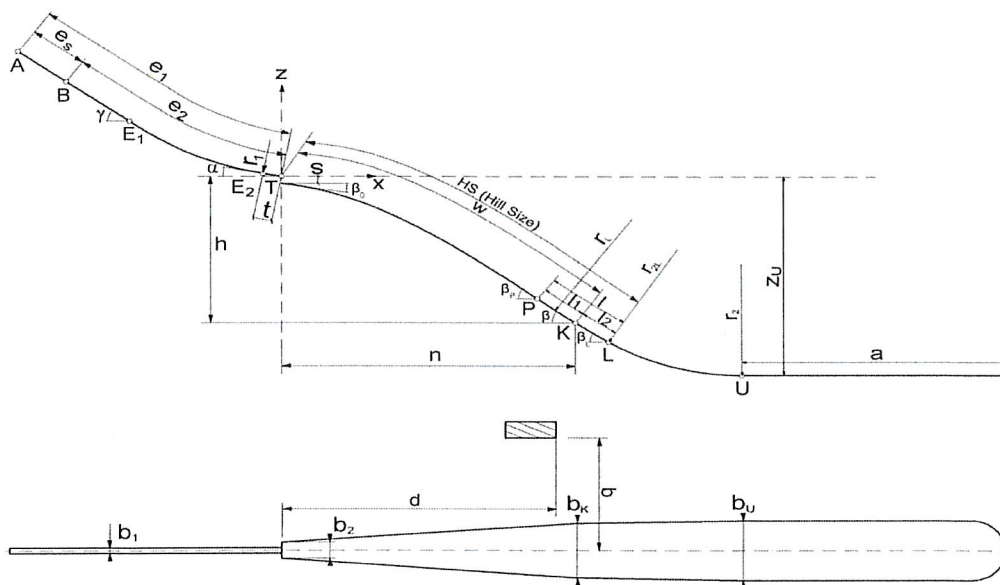
Date of issue 16.11.2023
Établi le
Ausgestellt am

Valid till 30.04.2028
Valable jusq` au
Gültig bis

Place: Oberstdorf

Name: Heini-Klopfer

HS = 235 m h/n 0,605 Vo = 30,00 m/s



$e_1 = 118,00$ m	$l_1 = 28,80$ m	$P = 171,00$ m
$e_2 = 94,00$ m	$l_2 = 35,00$ m	$K = 200,00$ m
$e_s = 24,00$ m 49 gates, à 50cm	$a = 88,00$ m	$L = 235,00$ m
$t = 8,50$ m	sloping up after "U" with $r = 224,5$ m	$b_1 = 2,50$ m
$\gamma = 38,70^\circ$	$\beta_p = 36,90^\circ$	$b_2 = 8,00$ m
$\alpha = 11,20^\circ$	$\beta = 33,90^\circ$	$b_K = 37,64$ m
$r_1 = 225-130$ m	$\beta_L = 31,40^\circ$	$b_U = 37,64$ m
$h = 103,10$ m	$r_L = 500,00$ m	$d = 26,00$ m
$n = 170,30$ m	$r_{2L} = 150,00$ m	$q = 123,00$ m
$s = 3,40$ m snow-profile	$r_2 = 100,00$ m	$Z_u = 135,00$ m

Remarks / Bemerkungen

1. Inspection by Marko Mlakar (26th November 2022)
2. The remarks in the inspection-report must be observed and fulfilled for the validity of certification.
3. for fulfilling the (FIS/ICR) standards of the jumpinghill, the owner is responsible during training and competition.
4. outrun length "a" is reduced to 88,0 m after new calculation and verification by FIS

JUMPING HILL APPROVED BY THE FIS
TREMPLIN HOMOLOGUE PAR LA FIS
DURCH DIE FIS GENEHMIGTE SPRUNGSCHANZE

SUB-COMMITTEE FOR JUMPING HILLS

CHAIRMAN:

Hans-Martin Renn
FÉDÉRATION INTERNATIONALE DE SKI
INTERNATIONAL SKI FEDERATION
INTERNATIONALER SKI VERBAND