

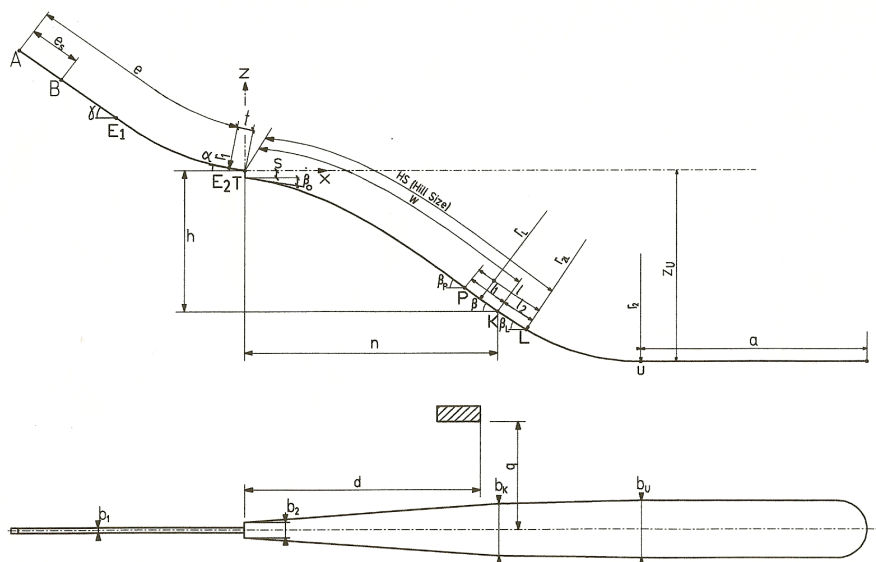
No. 247 / GER 49 **2nd prolongation**

**CERTIFICATE OF JUMPING HILL**  
**CERTIFICAT DE CONFORMITE**  
**SCHANZENPROFILBESTÄTIGUNG**

Date of issue 28.07.2024 Valid till **30.04.2029**  
 Établi le Valable jusq` au  
 Ausgestellt am Gültig bis

Place: Oberhof Name: Rennsteig

HS = 100 m h/n **0,543** Vo = **24,40 m/s**



$e_1 = 93,50 \text{ m}$	$l_1 = 11,00 \text{ m}$	$P = 79,00 \text{ m}$
$e_2 = 70,00 \text{ m}$	$l_2 = 10,00 \text{ m}$	$K = 90,00 \text{ m}$
$e_s = 23,50 \text{ m}$ 47 gates à 50,0cm; è 28,5/41,0cm	$a = 72,80 \text{ m}$ sloping up	$L = 100,00 \text{ m}$
$t = 6,50 \text{ m}$	$\beta_0 = 6,50^\circ$	$b_1 = 2,50 \text{ m}$
$\gamma = 35,00^\circ$	$\beta_p = 38,00^\circ$	$b_2 = 5,40 \text{ m}$
$\alpha = 11,00^\circ$	$\beta = 35,00^\circ$	$b_k = 18,00 \text{ m}$
$r_1 = 91,00 \text{ m}$	$\beta_L = 32,00^\circ$	$b_u = 19,80 \text{ m}$
$h = 42,70 \text{ m}$	$r_L = 210,00 \text{ m}$	$d = 55,90 \text{ m}$
$n = 78,63 \text{ m}$	$r_{2L} = 180,00 \text{ m}$	$q = 29,20 \text{ m}$
$s = 2,10 \text{ m}$	$r_2 = 85,00 \text{ m}$	$Z_u = 68,24 \text{ m}$

### Remarks / Bemerkungen

1. inspection by Josef Slavik (30th May 2024)
2. the remarks in the inspection report must be observed and fulfilled for the validity of the certification.
3. the owner is responsible for maintaining the ICR standards during training and competitions.
4. during training and competition the second part of the take-off and area "B" must be covered with soft damp mats

JUMPING HILL APPROVED BY THE FIS  
 TREMPLIN HOMOLOGUE PAR LA FIS  
 DURCH DIE FIS GENEHMIGTE SPRUNGSCHANZE

SUB-COMMITTEE FOR JUMPING HILLS

CHAIRMAN:

  
 Hans-Martin Renn