

No.

60 / GER 51

temporary certificate

**CERTIFICATE OF JUMPING HILL  
CERTIFICAT DE CONFORMITE  
SCHANZENPROFILBESTÄTIGUNG**

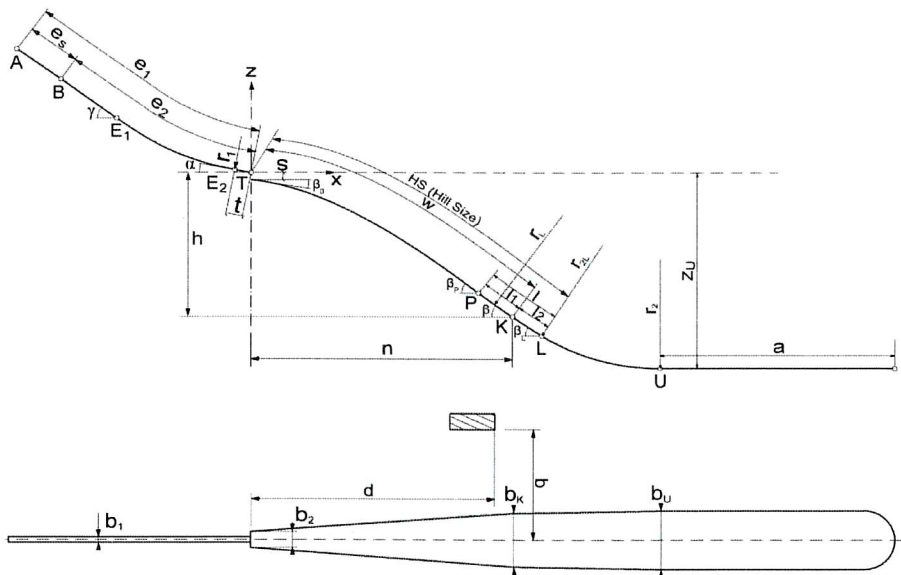
Date of issue 29.07.2017  
Établi le  
Ausgestellt am

Valid till 31.08..2022  
Valable jusq` au  
Gültig bis

Place: Mühlleithen

Name: Vogtlandschanze

HS = 85 m h/n 0,52 Vo = 25,88 m/s



$e_1 = 84,07 \text{ m}$	$l_1 = 7,42 \text{ m}$	$P = 69,31 \text{ m}$
$e_s = 19,37 \text{ m}$	$l_2 = 8,27 \text{ m}$	$K = 76,73 \text{ m}$
$t = 6,15 \text{ m}$	$a = 75,00 \text{ m}$ sloping up 12,5°	$L = 85,00 \text{ m}$
$\gamma = 35,00^\circ$	$\beta_p = 33,20^\circ$	$b_1 = 2,48 \text{ m}$
$\alpha = 11,00^\circ$	$\beta = 31,75^\circ$	$b_K = 19,20 \text{ m}$
$r_1 = 67,50 \text{ m}$	$\beta_L = 30,40^\circ$	$b_U = 17,50 \text{ m}$
$h = 35,22 \text{ m}$	$r_L = 170,00 \text{ m}$	$d = \text{m}$
$n = 67,33 \text{ m}$	$r_{2L} = 144,00 \text{ m}$	$q = \text{m}$
$s = 1,92 \text{ m}$	$r_2 = 65,00 \text{ m}$	$Z_U = 51,30 \text{ m}$

**Remarks / Bemerkungen**

1. inspection by Josef Slavik (1st December 2016)
2. the remarks of the inspection-report and inspection-remark must be observed and fulfilled for the validity of certification
3. for fulfilling the (ICR/IWO) standards of the jumpinghill, the owner is responsible during training and competition.
5. the temporary certification is valid for Alpengcup 08/2022 trainings and competitions

JUMPING HILL APPROVED BY THE FIS  
TREPLIN HOMOLOGUE PAR LA FIS  
DURCH DIE FIS GENEHMIGTE SPRUNGSCHANZE

SUB-COMMITTEE FOR JUMPING HILLS

CHAIRMAN:

Hans-Martin Renn