

No. 54 / GER 43 **very final temporary certification**

CERTIFICATE OF JUMPING HILL CERTIFICAT DE CONFORMITE SCHANZENPROFILBESTÄTIGUNG

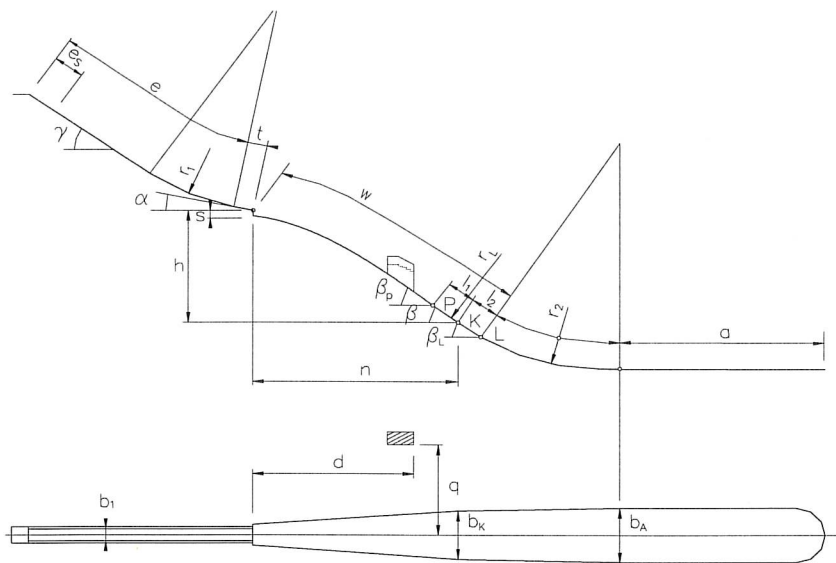
Date of issue 11.12.2023
Établi le
Ausgestellt am

Valid till 30.04.2024
Valable jusqu'au
Gültig bis

Place: Brotterode

Name: Inselbergschanze

HS = 117 m h/n 0,562 Vo = 25,00 m/s



$e_s = 83,10$ m	22 gates $e = 37 / 50$ cm	$l_1 = 14,00$ m	$P = 91,00$ m
$e_2 = 13,50$ m		$l_2 = 12,00$ m	$K = 105,00$ m
$t = 6,20$ m		$a = 82,00$ m	sloping up
$\gamma = 37,00^\circ$		$\beta_p = 37,40^\circ$	$L = 117,00$ m
$\alpha = 10,50^\circ$		$\beta = 34,40^\circ$	$b_1 = 2,75$ m
$r_1 = 92,00$ m		$\beta_L = 31,90^\circ$	$b_2 = /$ m
$h = 51,19$ m		$r_L = 271,80$ m	$b_K = 21,40$ m
$n = 91,08$ m		$r_{2L} = /$ m	$b_U = 23,90$ m
$s = 2,63$ m		$r_2 = 91,30$ m	$d = 51,00$ m
			$q = 24,00$ m

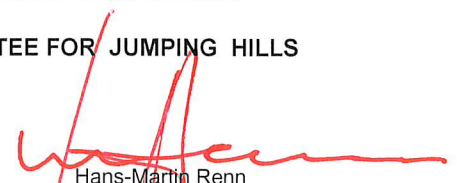
Remarks / Bemerkungen

1. last inspection was made by Josef Slavik (November 3, 2021)
2. for the certificate to be valid, the remarks in the inspection report must be fulfilled
3. the owner is responsible for the standards of ski jump construction (FIS ICR) during training and competition
4. ascent to the start and inrun tower:
 - 4.1 an interim solution for the ascent to the start has been confirmed by the Schmalkalden-Meiningen district and must be implemented
 - 4.2 the base for the very last temporary certification was the kick-off meeting for the renovation of the inrun tower beginning from 2023/24
 - 4.3 without a reconstruction of the entire inrun tower, further temporary certification is no longer possible

JUMPING HILL APPROVED BY THE FIS
TREPLIN HOMOLOGUE PAR LA FIS
DURCH DIE FIS GENEHMIGTE SPRUNGSCHANZE

SUB-COMMITTEE FOR JUMPING HILLS

CHAIRMAN:



Hans-Martin Renn