

No.

375 / FRA 16

2nd prolongation

**CERTIFICATE OF JUMPING HILL
CERTIFICAT DE CONFORMITE
SCHANZENPROFILBESTÄTIGUNG**

Date of issue 23.09.2022
Établi le
Ausgestellt am

Valid till 20.04.2027
Valable jusqu' au
Gültig bis

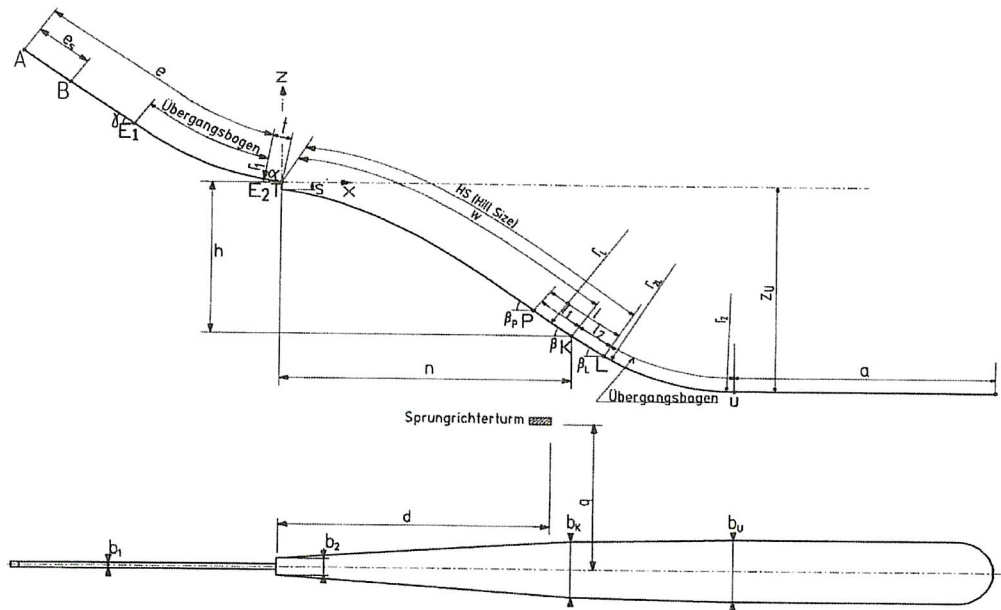
Place: Gerardmer

Name: Des Bas-Rupts

HS = 72 m

$h/n = 0,52$

$V_o = 22,00$ m/s



$e = 70,30$ m	$l_1 = 5,67$ m	$z_U = 47,00$ m
$e_s = 13,70$ m 29 gates à 49cm (28/40cm)	$l_2 = 6,76$ m	$P = 59,33$ m
$t = 5,90$ m	$a = 90,30$ m	$K = 65,00$ m
$\gamma = 35,00^\circ$	$\beta_p = 36,00^\circ$	$L = 71,76$ m
$\alpha = 9,50^\circ$	$\beta = 34,00^\circ$	$b_1 = 2,30$ m
$r_1 = 78,19$ m	$\beta_L = 31,60^\circ$	$b_K = 12,75$ m
$h = 29,94$ m	$r_L = 130,00$ m	$b_U = 13,40$ m
$n = 57,58$ m	$r_{2L} = 125,00$ m	$d = 54,90$ m
$s = 2,50$ m	$r_2 = 75,00$ m	$q = 25,00$ m

Remarks / Bemerkungen

1. inspection by Hubert Mathis (30th August 2022)
2. the remarks of the inspection-report must be observed and fulfilled for the validity of certification.
3. a documentation about worked out the mistakes was presented at 7th September 2022
4. for fulfilling the (FIS-ICR) standards of the ski jumping hill, the owner is responsible during training and competition.

JUMPING HILL APPROVED BY THE FIS
TREMPLEIN HOMOLOGUE PAR LA FIS
DURCH DIE FIS GENEHMIGTE SPRUNGSCHANZE

SUB-COMMITTEE FOR JUMPING HILLS

CHAIRMAN:

Hans-Martin Renn