

No. 380 / CZE 1 **3rd prolongation**

# CERTIFICATE OF JUMPING HILL CERTIFICAT DE CONFORMITE SCHANZENPROFILBESTÄTIGUNG

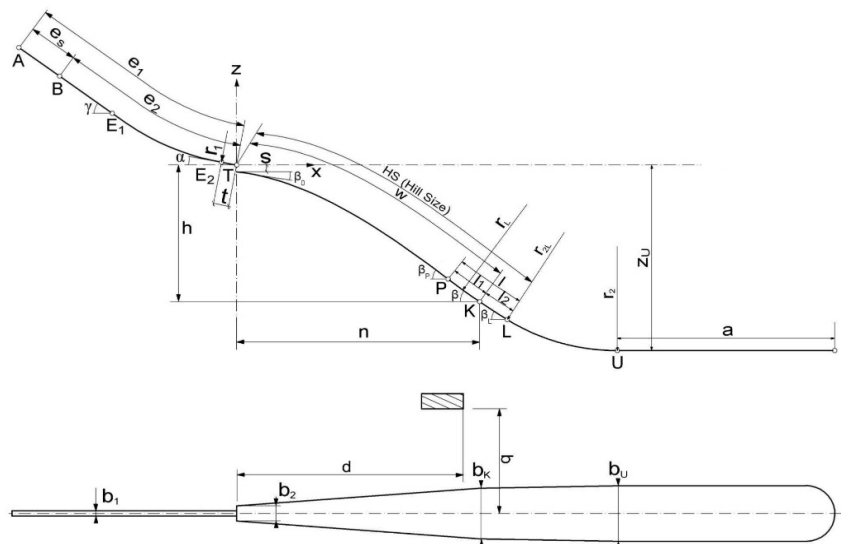
Date of issue 02.08.2024  
Établi le  
Ausgestellt am

Valid till **30.04.2029**  
Valable jusqu' au  
Gültig bis

Place: Frenstat

Name: Horecki HS106

HS = 106 m h/n 0,552 Vo = 25,00 m/s



$e_1$ = 84,60 m	$l_1$ = 13,10 m	$P$ = 81,90 m
$e_2$ = 67,70 m	$l_2$ = 10,65 m	$K$ = 95,00 m
$e_s$ = 16,90 m 36 gates à 45-55cm	$a$ = 82,00 m 6° sloping up	$L$ = 105,65 m
$t$ = 6,30 m	$\beta_0$ = 6,00 °	$b_1$ = 3,57 m
$\gamma$ = 35,00 °	$\beta_P$ = 37,00 °	$b_2$ = 5,90 m
$\alpha$ = 11,00 °	$\beta$ = 34,00 °	$b_K$ = 19,00 m
$r_1$ = 85,00 m	$\beta_L$ = 31,54 °	$b_U$ = 20,90 m
$h$ = 45,55 m	$r_L$ = 248,48 m	$d$ = 52,00 m
$n$ = 82,51 m	$r_{2L}$ = / m	$q$ = 33,00 m
$s$ = 2,38 m	$r_2$ = 92,00 m	

## Remarks / Bemerkungen

- inspection by Josef Slavik (23rd July 2024)
- the remarks in the inspection report must be observed and fulfilled for the validity of certification.
- for fulfilling the (FIS ICR) standards of the jumpinghill, the owner is responsible during training and competition.
- the old structure in front of the take off table must be covered in accordance to the inspection report.

JUMPING HILL APPROVED BY THE FIS  
TREPLIN HOMOLOGUE PAR LA FIS  
DURCH DIE FIS GENEHMIGTE SPRUNGSCHANZE

SUB-COMMITTEE FOR JUMPING HILLS

CHAIRMAN:

  
Hans-Martin Renn