

No.

391 / AUT 51

2nd prolongation

CERTIFICATE OF JUMPING HILL CERTIFICAT DE CONFORMITE SCHANZENPROFILBESTÄTIGUNG

Date of issue
Établi le
Ausgestellt am

11.08.2024

Valid till
Valable jusqu' au
Gültig bis

30.04.2029

Place:

Tschagguns

Name:

HS 66

HS =

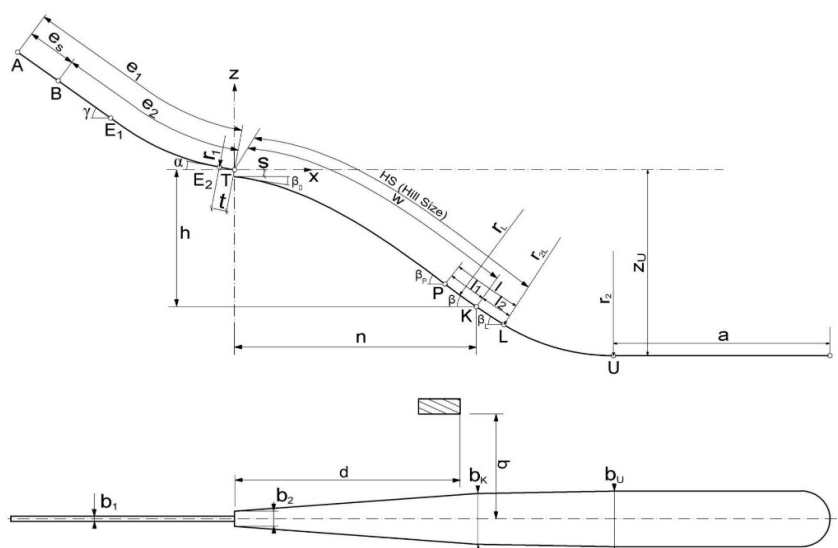
66 m

h/n =

0,51

Vo =

21,50 m/s



$e_1 = 73,35 \text{ m}$
 $e_2 = 59,1 \text{ m}$
 $e_s = 14,25 \text{ m}$
 $t = 5,80 \text{ m}$
 $\gamma = 30,10^\circ$
 $\alpha = 9,60^\circ$
 $r_1 = 75,28 \text{ m}$
 $h = 27,08 \text{ m}$
 $n = 53,10 \text{ m}$
 $s = 1,50 \text{ m}$

23 gates á 32/55cm; è 65cm

$l = 9,70 \text{ m}$
 $l_1 = 3,84 \text{ m}$
 $l_2 = 5,86 \text{ m}$
 $a = 84,90 \text{ m}$
 $\beta_p = 33,30^\circ$
 $\beta = 33,00^\circ$
 $\beta_L = 30,80^\circ$
 $r_{2L} = 120,00 \text{ m}$
 $r_2 = 89,00 \text{ m}$

$P = 54,00 \text{ m}$
 $K = 60,00 \text{ m}$
 $L = 66,00 \text{ m}$
 $b_1 = 2,04 \text{ m}$
 $b_2 = 6,00 \text{ m}$
 $b_K = 19,60 \text{ m}$
 $b_U = 12,10 \text{ m}$
 $d = 25,10 \text{ m}$
 $q = 24,50 \text{ m}$

Remarks / Bemerkungen

1. inspection by Miran Tepes (11th August 2024)
2. the remarks in the inspection-report must be observed and fulfilled for the validity of the certification.
3. for fulfilling the (FIS/ICR) standards of the jumpinghills, the owner is responsible during training and competition.
4. the area "B" in front of the take off table must be covered with soft damp mats during training and competition.

JUMPING HILL APPROVED BY THE FIS
TREMPLIN HOMOLOGUE PAR LA FIS
DURCH DIE FIS GENEHMIGTE SPRUNGSCHANZE

SUB-COMMITTEE FOR JUMPING HILLS

CHAIRMAN:


Hans-Martin Renn