

No. 2 / AUT 2 **3rd prolongation**
CERTIFICATE OF JUMPING HILL
CERTIFICAT DE CONFORMITE
SCHANZENPROFILBESTÄTIGUNG

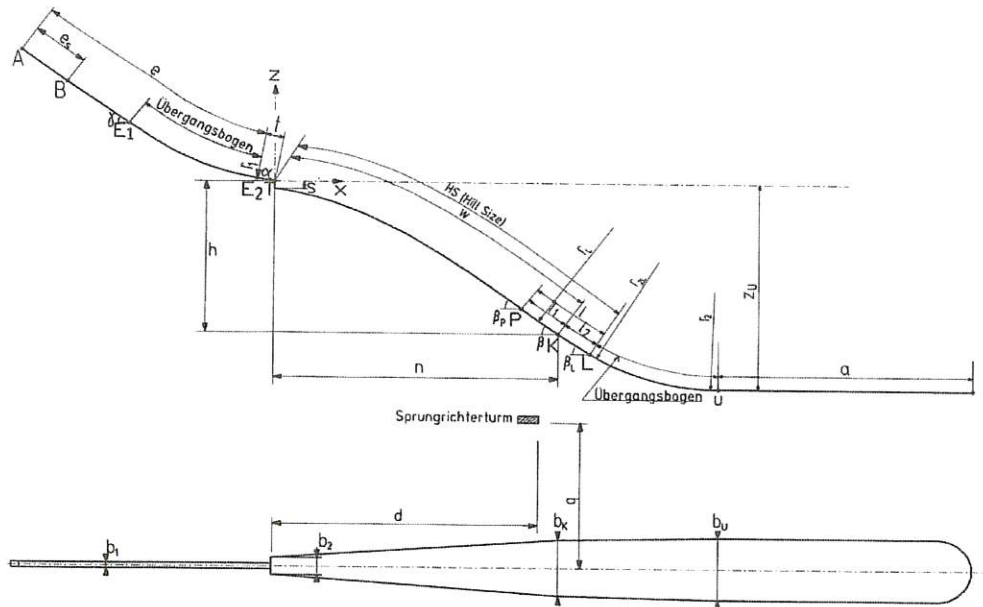
Date of issue 21.10.2018
 Établi le
 Ausgestellt am

Valid till **20.10.2023**
 Valable jusq' au
 Gültig bis

Place: Innsbruck

Name: Berisel

HS = 130 m h/n = 0,579 Vo = 25,80 m/s



e = 90,70 m	l ₁ = 11,13 m	z _U = 82,92 m
e _s = 17,70 m 28 gates	l ₂ = 9,82 m	P = 108,87 m
t = 6,50 m	a = 59,18 m sloping up	K = 120,00 m
γ = 35,00 °	β _p = 36,60 °	L = 129,82 m
α = 10,75 °	β = 34,50 °	b ₁ = 2,55 m
r ₁ = 100,00 m	β _L = 30,20 °	b _K = 24,00 m
h = 59,85 m	r _L = 240,00 m	b _U = 29,20 m
n = 103,32 m	r _{2L} = / m	d = 85,69 m
s = 3,08 m	r ₂ = 100,00 m	q = 34,19 m

Remarks / Bemerkungen

- inspection by Hans-Martin Renn (15th October 2016 and final control 4th July 2018)
- the remarks of the inspection-report from 15th October 2016 must be observed and fulfilled for the validity of the certification.
- for fulfilling the (FIS-ICR) standards of the jumpinghill, the owner is responsible during training and competition.
- the steel construction in front of the takeoff table for tarpaulin covering must be covered with a mobile box and soft material.
- inrun combitrack installation 2017

JUMPING HILL APPROVED BY THE FIS
 TREPLIN HOMOLOGUE PAR LA FIS
 DURCH DIE FIS GENEHMIGTE SPRUNGSCHANZE

SUB-COMMITTEE FOR JUMPING HILLS
 CHAIRMAN:

Hans-Martin Renn