

No. 355 / USA 21 **prolongation**

CERTIFICATE OF JUMPING HILL CERTIFICAT DE CONFORMITE SCHANZENPROFILBESTÄTIGUNG

Date of issue 04.12.2017
Établi le
Ausgestellt am

Valid till 03.12.2022
Valable jusqu'au
Gültig bis

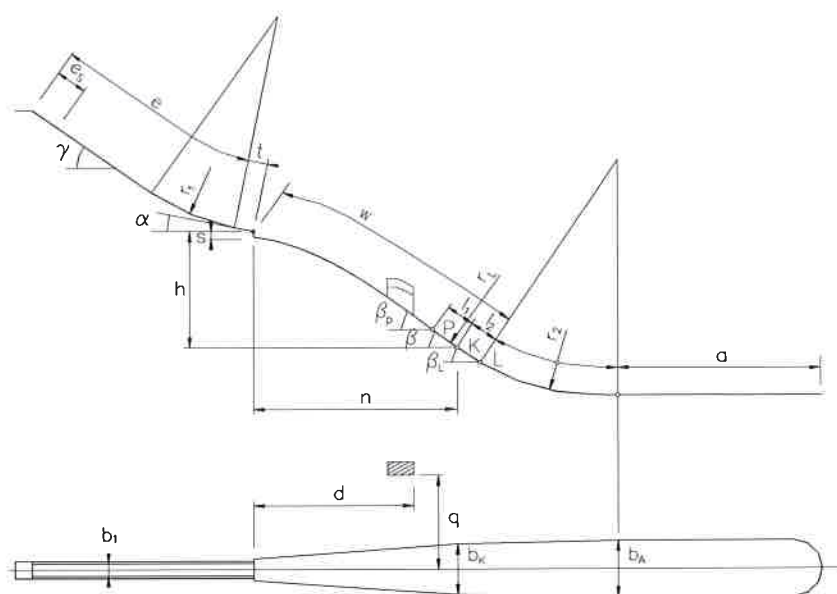
Place: Steamboat Springs CO

Name: Howelsen Hill

HS = 75 m

h/n = 0,52

Vo = 22,00 m/s



$e = 77,38$ m
 $e_s = 18,78$ m
 $t = 5,75$ m
 $\gamma = 34,00^\circ$
 $\alpha = 10,10^\circ$
 $r_1 = 74,00$ m
 $h = 31,26$ m
 $n = 60,31$ m
 $s = 2,10$ m

$l_1 = 7,14$ m
 $l_2 = 7,14$ m
 $a = 100,00$ m
 $\beta_p = 35,62^\circ$
 $\beta = 33,00^\circ$
 $\beta_L = 30,38^\circ$
 $r_L = 156,00$ m
 $r_{2L} = /$ m
 $r_2 = 80,00$ m

$P = 60,7$ m
 $K = 68,00$ m
 $L = 75,14$ m
 $b_1 = 2,40$ m
 $b_K = 13,40$ m
 $b_U = 14,85$ m
 $d = /$ m
 $q = /$ m
 $zU = /$ m

Remarks / Bemerkungen

- inspection by Christian Kathol (27th September 2017)
- the remarks of inspection-report must be observed
- the standards for the construction of jumping hills (ICR/IWO) the owner is responsible during the training and competition

JUMPING HILL APPROVED BY THE FIS
TREMPLEIN HOMOLOGUE PAR LA FIS
DURCH DIE FIS GENEHMIGTE SPRUNGSCHANZE

SUB-COMMITTEE FOR JUMPING HILLS
CHAIRMAN:

Hans-Martin Renn