

No.

297 / NOR 42

1. prolongation

**CERTIFICATE OF JUMPING HILL  
CERTIFICAT DE CONFORMITE  
SCHANZENPROFILBESTÄTIGUNG**

Date of issue 31.12.2014  
Établi le  
Ausgestellt am

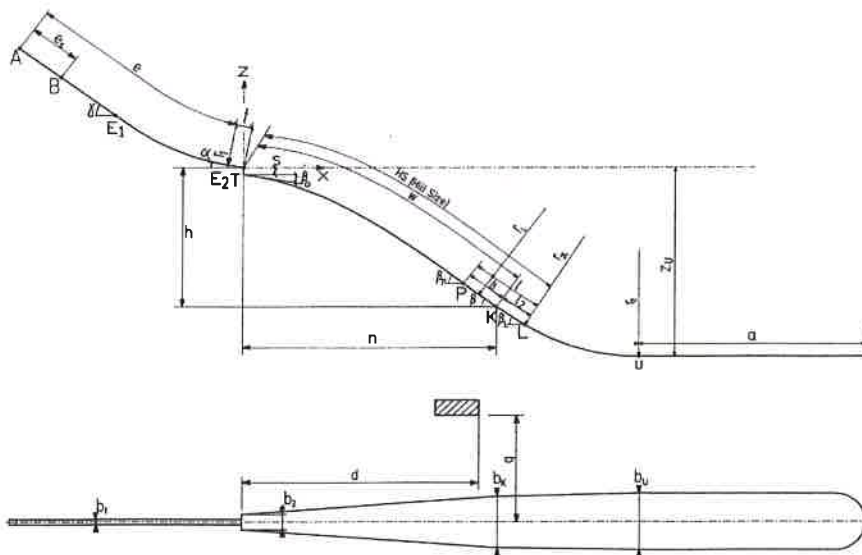
Valid till 31.12.2019  
Valable jusqu' au  
Gültig bis

Place: Vikersund

Name: HS 117

HS = 117 m h/n 0,561

Vo = 24,70 m/s



e = 87,65 m	$l_1 = 8,12 \text{ m}$	P = 96,88 m
$e_s = 18,90 \text{ m}$	$l_2 = 12,28 \text{ m}$	K = 105,00 m
t = 6,00 m (19 x 2 gates)	a = 87,00 m	L = 117,28 m
$\gamma = 35,50^\circ$	$\beta_p = 35,75^\circ$	$b_1 = 2,64 \text{ m}$
$\alpha = 10,70^\circ$	$\beta = 34,00^\circ$	$b_K = 21,00 \text{ m}$
$r_1 = 85,00$	$\beta_L = 31,50^\circ$	$b_A = 23,70 \text{ m}$
h = 51,12 m	$r_L = 275,00 \text{ m}$	d = 58,60 m
n = 91,12 m	$r_2 = 110,75 \text{ m}$	q = 29,50 m
s = 2,60 m		

**Remarks / Bemerkungen**

1. inspection by Pekka Hyvärinen (15th September 2014)
2. remarks of inspection-report from 15th September 2014 must be observed

JUMPING HILL APPROVED BY THE FIS  
TREPLIN HOMOLOGUE PAR LA FIS  
DURCH DIE FIS GENEHMIGTE SPRUNGSCHANZE

SUB-COMMITTEE FOR JUMPING HILLS

CHAIRMAN:

Hans-Martin Renn