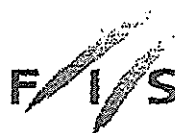


# Ski Jumping NH(HS 106)/Saut à Ski NH(HS 106)



FÉDÉRATION INTERNATIONALE DE SKI  
INTERNATIONAL SKI FEDERATION  
INTERNATIONALER SKI - VERBAND



No. 348 / ITA 12

## CERTIFICATE OF JUMPING HILL CERTIFICAT DE CONFORMITE SCHANZENPROFILBESTÄTIGUNG

Date of issue 06.10.2004  
Établi le  
Ausgestellt am

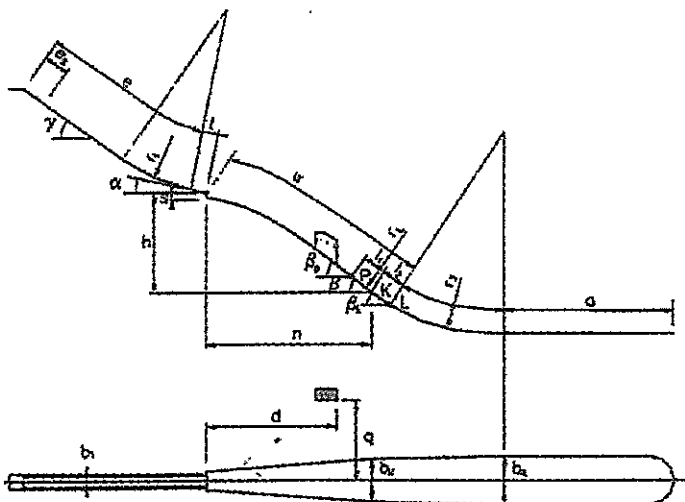
Valid till 31.12.2009  
Valable jusqu' au  
Gültig bis

Place: Pragelato

Name: K-95

HS = 106 m  $h/n$  0.550

Vo = 24.4m/s



$e = 88$  m  
 $e_c = 18.08$  m  
 $f = 6.4$  m  
 $\gamma = 35^\circ$   
 $\alpha = 11.0^\circ$   
 $r_1 = 92$  m  
 $h = 45.55$  m  
 $n = 82.83$  m  
 $s = 2.38$  m

$l_1 = 10.5$  m  
 $l_2 = 10.88$  m  
 $a = 95$  m  
 $\beta_p = 37^\circ$   
 $\beta = 34.5^\circ$   
 $\beta_L = 32^\circ$   
 $r_L = 241$  m  
 $r_2 = 111$  m

$P = 84.5$  m  
 $K = 95$  m  
 $L = 105.65$  m  
 $b_1 = 2.53$  m  
 $b_K = 20.00$  m  
 $b_A = 21.50$  m  
 $d = 58.93$  m  
 $q = 26.00$  m

JUMPING HILL APPROVED BY THE FIS  
TREMPLEIN HOMOLOGUE PAR LA FIS  
DURCH DIE FIS GENEHMIGTE SPRUNGSCHANZE

SUB-COMMITTEE FOR JUMPING HILLS  
CHAIRMAN: *Barndt*