



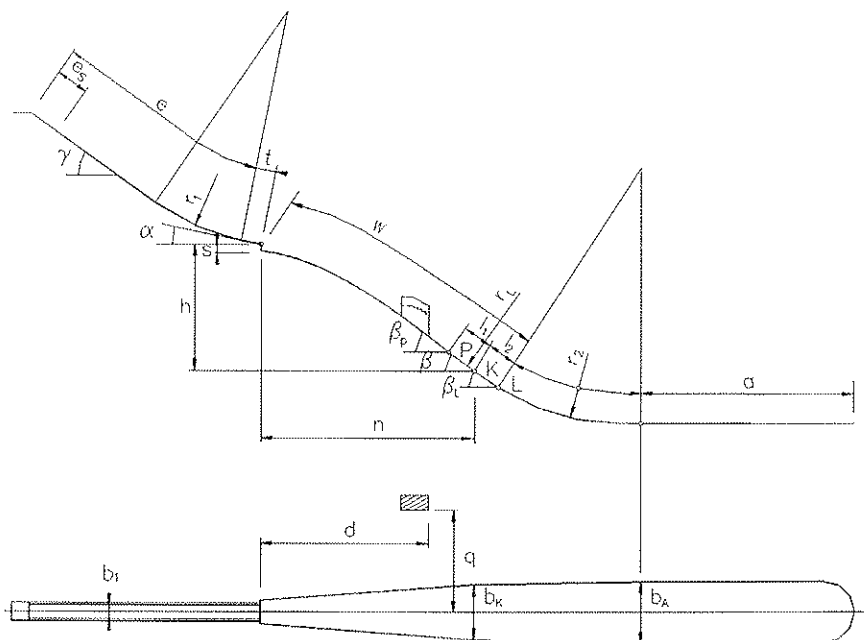
No. 149 / GER 19 1.Verlängerung

**CERTIFICATE OF JUMPING HILL
CERTIFICAT DE CONFORMITE
SCHANZENPROFILBESTÄTIGUNG**

Date of issue 27.11.2008 Valid till 31.12.2013
Établi le Valable jusqu' au
Ausgestellt am Gültig bis

Place: Oberstdorf Name: Schattenberg

HS = 137m h/n 0.575 Vo = 25.9m/s



e = 99 m	l_1 = 11.15 m	P = 108.85 m
e_s = 23 m	l_2 = 17.42 m	K = 120 m
t = 6.5 m	a = 95 m	L = 137.42 m
γ = 35 °	β_p = 37.43 °	b_1 = 2.82 m
α = 11.0 °	β = 35.50 °	b_K = 24.00 m
r_1 = 115 m	β_L = 33.56 °	b_A = 26.40 m
h = 59.52 m	r_L = 321 / 757.63 m	d = 87 m
n = 103.51 m	r_2 = 100 m	q = 44 m
s = 3.38 m		

JUMPING HILL APPROVED BY THE FIS
TREMPLEIN HOMOLOGUE PAR LA FIS
DURCH DIE FIS GENEHMIGTE SPRUNGSCHANZE

SUB-COMMITTEE FOR JUMPING HILLS

CHAIRMAN: