

No. FLY VI / CZE 1.Verlängerung

**CERTIFICATE OF JUMPING HILL**  
**CERTIFICAT DE CONFORMITE**  
**SCHANZENPROFILBESTÄTIGUNG**

Date of issue 05.01 2008  
Établi le  
Ausgestellt am

Valid till 31.12.2013  
Valable jusqu' au  
Gültig bis

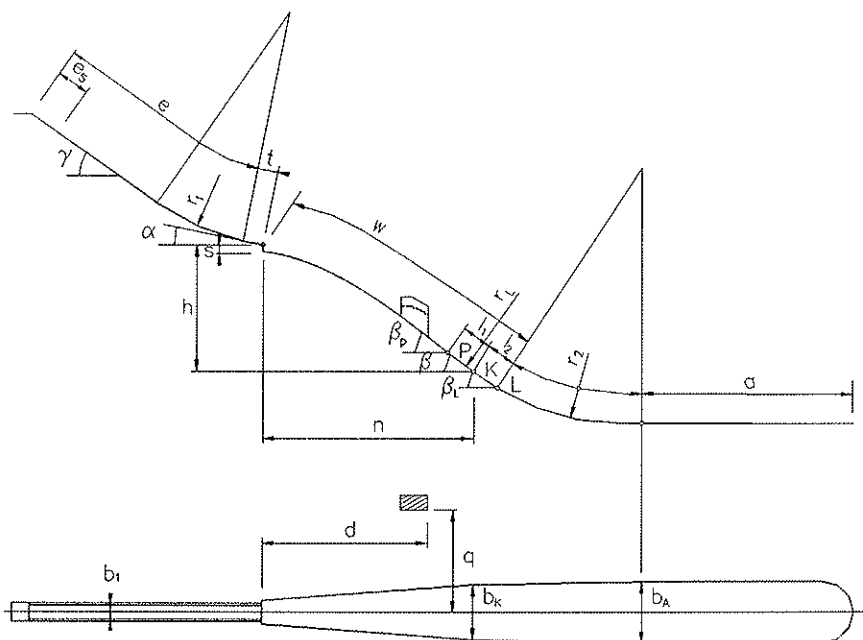
Place: Harrachov

Name: Certak

HS = 205 m

h/n 0.609

Vo = 28m/s



e = 118.5 m	l <sub>1</sub> = 36.29 m	P = 148 m
e <sub>s</sub> = 19 m	l <sub>2</sub> = 20 m	K = 185 m
t = 8.0 m	a = 105 m	L = 205 m
γ = 35 °	β <sub>p</sub> = 38.5 °	b <sub>1</sub> = 3 m
α = 10.5 °	β = 34.5 °	b <sub>K</sub> = 33.3 m
r <sub>1</sub> = Kloth.	β <sub>L</sub> = 32.3 °	b <sub>A</sub> = m
h = 95.69 m	r <sub>L</sub> = 520 m	d = 115 m
n = 157.25 m	r <sub>2</sub> = 115 m	q = 86 m
s = 4.62 m		

JUMPING HILL APPROVED BY THE FIS  
TREMPLEIN HOMOLOGUE PAR LA FIS  
DURCH DIE FIS GENEHMIGTE SPRUNGSCHANZE

SUB-COMMITTEE FOR JUMPING HILLS

CHAIRMAN:

