

No. 2 / AUT 2 2. Verlängerung

**CERTIFICATE OF JUMPING HILL**  
**CERTIFICAT DE CONFORMITE**  
**SCHANZENPROFILBESTÄTIGUNG**

Date of issue 19.12.2011  
Établi le  
Ausgestellt am

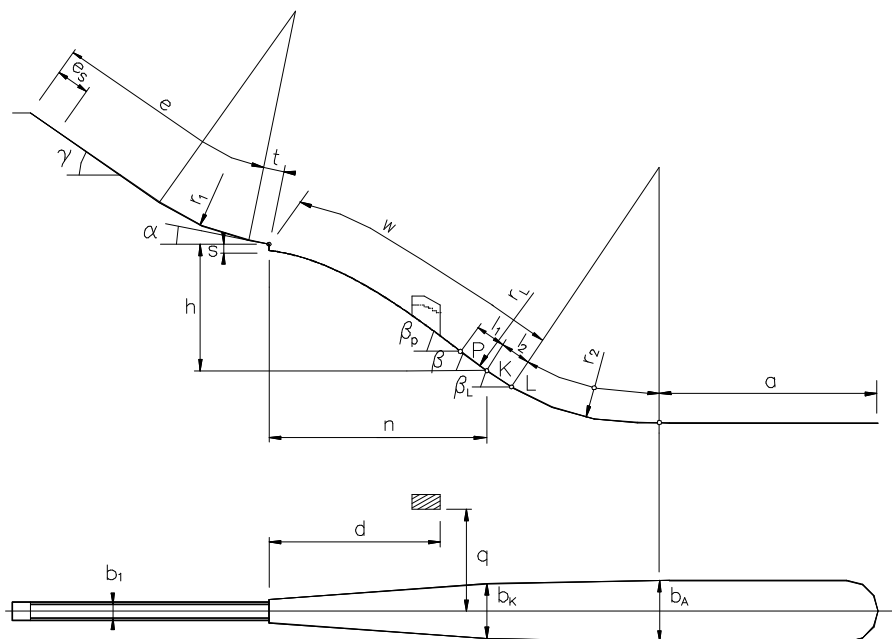
Valid till 31.12.2016  
Valable jusqu' au  
Gültig bis

Place: Innsbruck

Name: Bergisel

HS = 130m h/n 0.579

Vo = 25.8m/s



e = 90.70 m	$l_1 = 11.13$ m	P = 108.87 m
$e_s = 17.70$ m	$l_2 = 9.82$ m	K = 120 m
t = 6.50 m	a = 59.18 m steigend	L = 129.82 m
$\gamma = 35^\circ$	$\beta_p = 36.6^\circ$	$b_1 = 2.55$ m
$\alpha = 10.75^\circ$	$\beta = 34.5^\circ$	$b_k = 24.00$ m
$r_1 = 100$ m	$\beta_L = 30.2^\circ$	$b_A = 29.20$ m
h = 59.85 m	$r_L = 240$ m	d = 85.69 m
n = 103.32 m	$r_2 = 100$ m	q = 34.19 m
s = 3.08 m		

JUMPING HILL APPROVED BY THE FIS  
TREMPLIN HOMOLOGUE PAR LA FIS  
DURCH DIE FIS GENEHMIGTE SPRUNGSCHANZE

SUB-COMMITTEE FOR JUMPING HILLS

CHAIRMAN:

