



No. 302 /AUT 41 1. Verlängerung

**CERTIFICATE OF JUMPING HILL  
CERTIFICAT DE CONFORMITE  
SCHANZENPROFILBESTÄTIGUNG**

Date of issue 14.07.2006  
Établi le  
Ausgestellt am

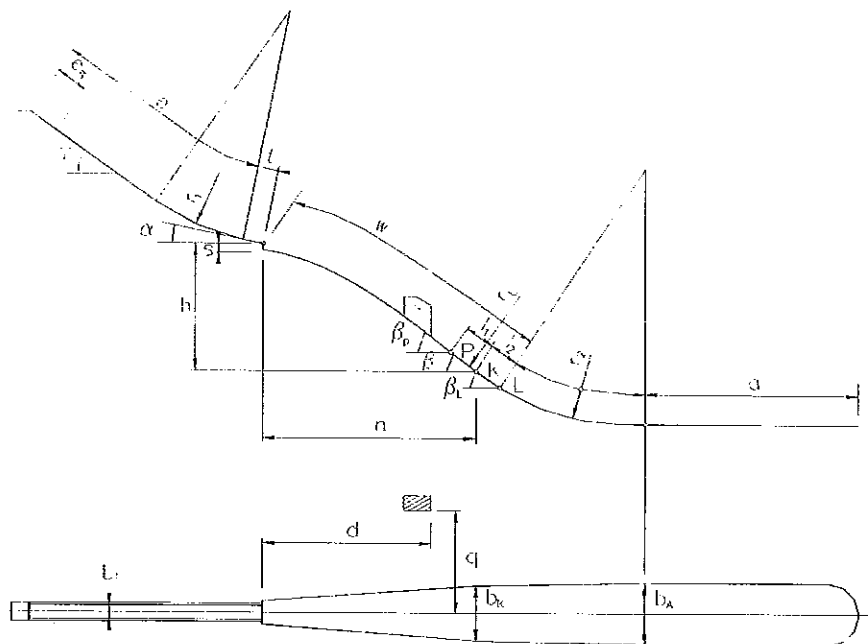
Valid till 31.12.2011  
Valable jusqu' au  
Gültig bis

Place: Bischofshofen

Name: Laideregg

HS = 78 m h/n 0.530

Vo = 21.8m/s



$e = 64.90$  m  
 $e_s = 11.60$  m  
 $t = 5.60$  m  
 $\gamma = 35^\circ$   
 $\alpha = 10.0^\circ$   
 $r_1 = 65.00$  m  
 $h = 30.29$  m  
 $n = 57.15$  m  
 $s = 1.65$  m

$l_1 = 7.68$  m  
 $l_2 = 13.44$  m  
 $a = 75.00$  m  
 $\beta_p = 36.5^\circ$   
 $\beta = 34.5^\circ$   
 $\beta_L = 31^\circ$   
 $r_L = 220.00$  m  
 $r_2 = 92.35$  m

$P = 57.32$  m  
 $K = 65.00$  m  
 $L = 78.44$  m  
 $b_1 = 2.40$  m  
 $b_K = 13.00$  m  
 $b_A = 14.00$  m  
 $d = 35.00$  m  
 $q = 13.00$  m

JUMPING HILL APPROVED BY THE FIS  
TREPLIN HOMOLOGUE PAR LA FIS  
DURCH DIE FIS GENEHMIGTE SPRUNGSCHANZE

SUB-COMMITTEE FOR JUMPING HILLS

CHAIRMAN:

*Kamuk*