

No. 349 / NOR 50 1. Verlängerung

**CERTIFICATE OF JUMPING HILL
CERTIFICAT DE CONFORMITE
SCHANZENPROFILBESTÄTIGUNG**

Date of issue 29.12.2009
Établi le
Ausgestellt am

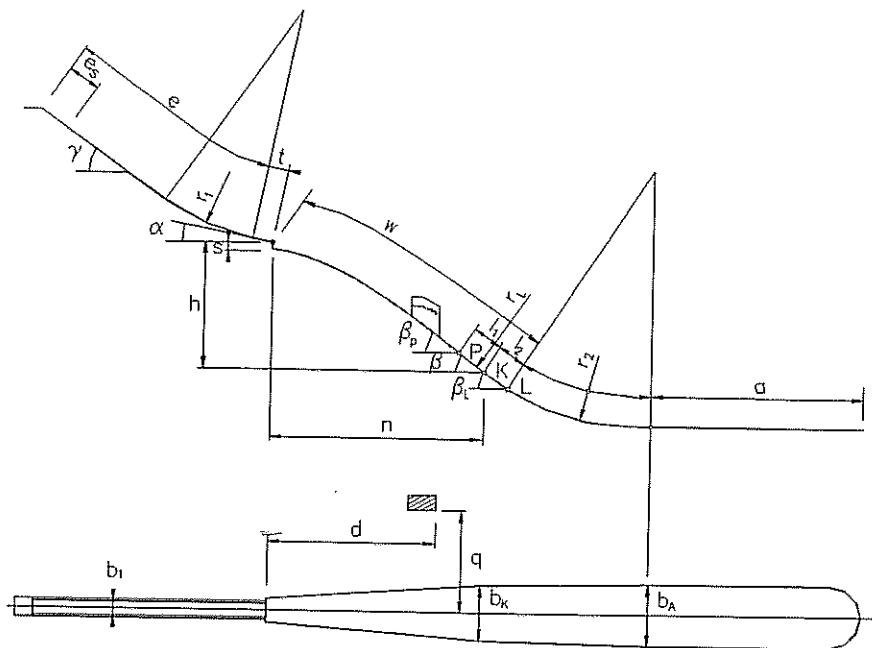
Valid till 31.12.2014
Valable jusq' au
Gültig bis

Place: Hoydalsmo

Name: Huka Hoppanlegg

HS = 94 m h/n 0.533

Vo = 23,4m/s



e = 87 m	l ₁ = 8.77 m	P = 76.23 m
e _s = 19 m	l ₂ = 9.37 m	K = 85 m
t = 5.5 m	a = 71.50 m	L = 94.37 m
γ = 32 °	9° steigend	b ₁ = 3.0 m
α = 10.5 °	β _p = 36.5 °	b _K = 18.5 m
r ₁ = 80 m	β = 34 °	b _A = 18.8 m
h = 40.12 m	β _L = 31.5 °	d = 59.9 m
n = 75.31 m	r _L = 201 m	q = 35.2 m
s = 2.21 m	r ₂ = 83 m	

JUMPING HILL APPROVED BY THE FIS
TREMPLEIN HOMOLOGUE PAR LA FIS
DURCH DIE FIS GENEHMIGTE SPRUNGSCHANZE

SUB-COMMITTEE FOR JUMPING HILLS

CHAIRMAN: