

No.

410 / ITA 14

# CERTIFICATE OF JUMPING HILL CERTIFICAT DE CONFORMITE SCHANZENPROFILBESTÄTIGUNG

Date of issue 28.09.2021  
Établi le  
Ausgestellt am

Valid till 30.04.2026  
Valable jusqu' au  
Gültig bis

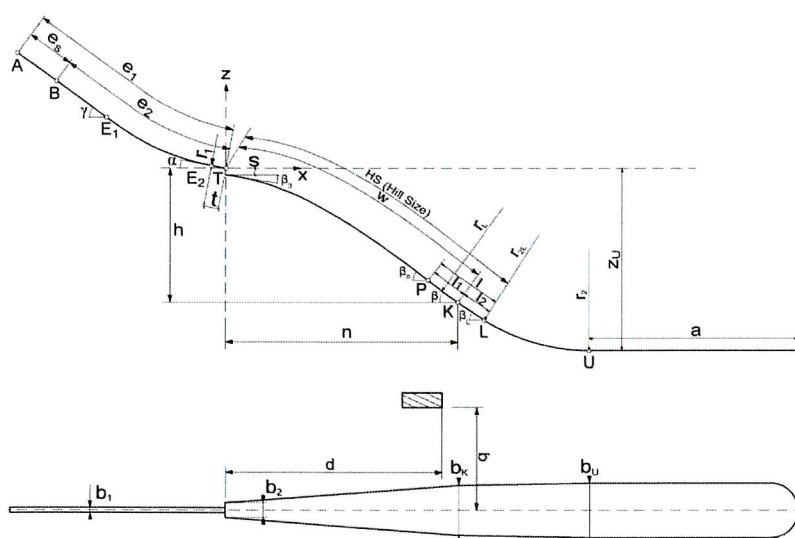
Place: Predazzo

Name: HS 66

HS = 66 m

h/n = 0,52

Vo = 21,37 m/s



$e_1 = 72,56 \text{ m}$	$l_1 = 4,00 \text{ m}$	$P = 56,00 \text{ m}$
$e_2 = 58,07 \text{ m}$	$l_2 = 6,00 \text{ m}$	$K = 60,00 \text{ m}$
$e_s = 14,49 \text{ m}$ (21 gates, é 69cm)	$a = 75,00 \text{ m}$	$L = 66,00 \text{ m}$
$t = 5,68 \text{ m}$	$\beta_p = 36,10^\circ$	$b_1 = 2,50 \text{ m}$
$s = 1,50 \text{ m}$	$\beta = 34,10^\circ$	$b_K = 12,00 \text{ m}$
$\gamma = 35,00^\circ$	$\beta_L = 31,10^\circ$	$b_U = 13,20 \text{ m}$
$\alpha = 9,50^\circ$	$r_L = 115,00 \text{ m}$	$d = 16,75 \text{ m}$
$r_1 = 72,14 \text{ m}$	$r_{2L} = 110,00 \text{ m}$	$q = 43,94 \text{ m}$
$h = 27,55 \text{ m}$	$r_2 = 85,00 \text{ m}$	$z_U = 44,25 \text{ m}$
$n = 52,97 \text{ m}$		

## Remarks / Bemerkungen

- inspection by Richard Kaiser (30th July 2021)
- the remarks of the inspection-report must be observed and fulfilled for the validity of the certification.
- execution of requirements: confirmation (24th September 2021)
- for fulfilling the (FIS-ICR) standards of the jumpinghill, the owner is responsible during training and competition.

JUMPING HILL APPROVED BY THE FIS  
TREPLIN HOMOLOGUE PAR LA FIS  
DURCH DIE FIS GENEHMIGTE SPRUNGSCHANZE

SUB-COMMITTEE FOR JUMPING HILLS

CHAIRMAN:



Hans-Martin Renn