

No. 405 / FRA 18 **temporary certificate**  
**CERTIFICATE OF JUMPING HILL**  
**CERTIFICAT DE CONFORMITE**  
**SCHANZENPROFILBESTÄTIGUNG**

Date of issue 08.01.2020  
 Établi le  
 Ausgestellt am

Valid till **31.03.2020**  
 Valable jusqu' au  
 Gültig bis

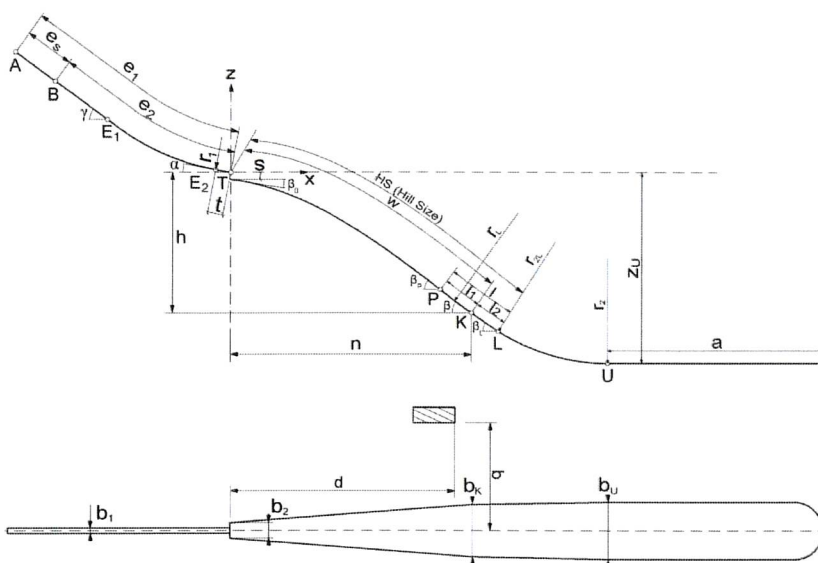
Place: Premanon

Name: Stade de Tuffes

HS = 90 m

h/n = 0,537

Vo = 23,60 m/s



$e_1 = 92,62 \text{ m}$	$l_1 = 6,10 \text{ m}$	$P = 74,90 \text{ m}$
$e_2 = 67,12 \text{ m}$	$l_2 = 9,00 \text{ m}$	$K = 81,00 \text{ m}$
$e_s = 19,50 \text{ m}$ 26 gates	$a = 75,00 \text{ m}$	$L = 90,00 \text{ m}$
$t = 6,00 \text{ m}$	$\beta_p = 36,00^\circ$	$b_1 = 2,50 \text{ m}$
$s = 2,50 \text{ m}$	$\beta = 34,00^\circ$	$b_K = 16,20 \text{ m}$
$\gamma = 35,00^\circ$	$\beta_L = 32,00^\circ$	$b_U = 18,00 \text{ m}$
$\alpha = 10,75^\circ$	$r_L = 175/275 \text{ m}$	$d = 53,70 \text{ m}$
$r_1 = 82,00 \text{ m}$	$r_{2L} = 107,50 \text{ m}$	$q = 16,05 \text{ m}$
$h = 38,13 \text{ m}$	$r_2 = 83,00 \text{ m}$	$z_U = 57,36 \text{ m}$
$n = 71,00 \text{ m}$		

**Remarks / Bemerkungen**

1. inspection by Christian Kathol (30th October 2019)
2. the remarks of the inspection-report must be observed and fulfilled for the validity of the certification.
3. for fulfilling the (FIS-ICR) standards of the jumpinghill, the owner is responsible during training and competition.
4. temporary guardrails in accordance to FIS-ICR in outrun infield area, must be installed during training and competition.
5. a permanent certificate (winter + summer) can be issued after documentation of the worked out remarks of the inspection report.

JUMPING HILL APPROVED BY THE FIS  
 TREMPLEIN HOMOLOGUE PAR LA FIS  
 DURCH DIE FIS GENEHMIGTE SPRUNGSCHANZE

SUB-COMMITTEE FOR JUMPING HILLS

CHAIRMAN:

Hans-Martin Renn