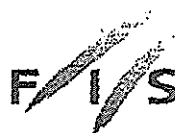


Ski Jumping NH(HS 106)/Saut à Ski NH(HS 106)



FÉDÉRATION INTERNATIONALE DE SKI
INTERNATIONAL SKI FEDERATION
INTERNATIONALER SKI - VERBAND



No. 348 / ITA 12

CERTIFICATE OF JUMPING HILL CERTIFICAT DE CONFORMITE SCHANZENPROFILBESTÄTIGUNG

Date of issue 06.10.2004
Établi le
Ausgestellt am

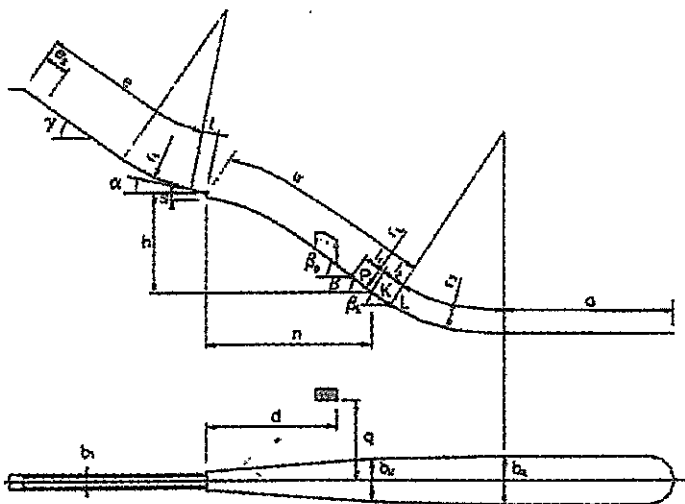
Valid till 31.12.2009
Valable jusqu' au
Gültig bis

Place: Pragelato

Name: K-95

HS = 106 m h/n 0.550

Vo = 24.4m/s



$e = 88$ m
 $e_c = 18.08$ m
 $t = 6.4$ m
 $\gamma = 35^\circ$
 $\alpha = 11.0^\circ$
 $r_1 = 92$ m
 $h = 45.55$ m
 $n = 82.83$ m
 $s = 2.38$ m

$l_1 = 10.5$ m
 $l_2 = 10.88$ m
 $a = 95$ m
 $\beta_p = 37^\circ$
 $\beta = 34.5^\circ$
 $\beta_L = 32^\circ$
 $r_L = 241$ m
 $r_2 = 111$ m

$P = 84.5$ m
 $K = 95$ m
 $L = 105.65$ m
 $b_1 = 2.53$ m
 $b_K = 20.00$ m
 $b_A = 21.50$ m
 $d = 58.93$ m
 $q = 26.00$ m

JUMPING HILL APPROVED BY THE FIS
TREMPLEIN HOMOLOGUE PAR LA FIS
DURCH DIE FIS GENEHMIGTE SPRUNGSCHANZE

SUB-COMMITTEE FOR JUMPING HILLS
CHAIRMAN: *[Signature]*