

No. 226 / AUT 26 2.Verlängerung

**CERTIFICATE OF JUMPING HILL**  
**CERTIFICAT DE CONFORMITE**  
**SCHANZENPROFILBESTÄTIGUNG**

Date of issue 21.10.2009  
Établi le  
Ausgestellt am

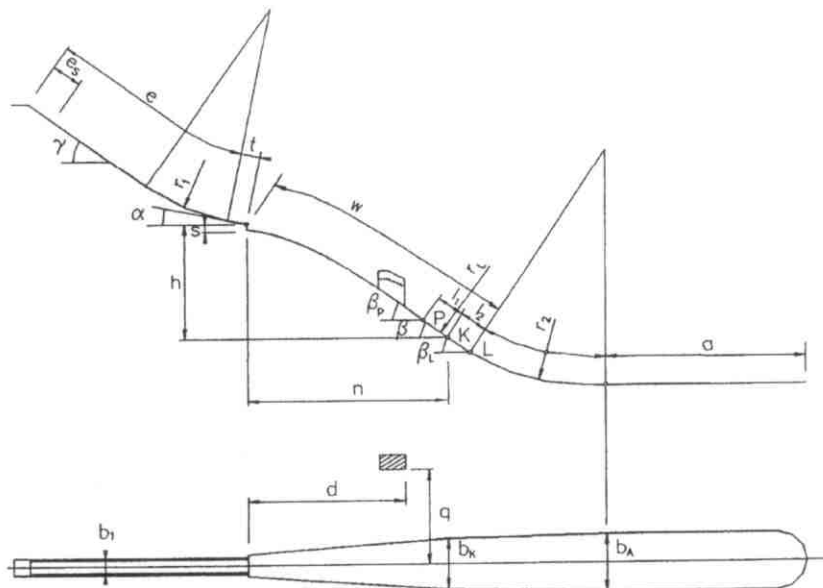
Valid till 31.12.2014  
Valable jusqu' au  
Gültig bis

Place: Eisenerz Ramsau

Name: Erzbergschanze

HS = 100m h/n 0.553

Vo = 24m/s



$e = 88.4$  m  
 $e_s = 15$  m  
 $t = 6.4$  m  
 $\gamma = 30^\circ$   
 $\alpha = 11.0^\circ$   
 $r_1 = 80$  m  
 $h = 43.34$  m  
 $n = 78.37$  m  
 $s = 2.25$  m

$l_1 = 11.83$  m  
 $l_2 = 9.86$  m  
 $a = 85$  m  
 $\beta_p = 37^\circ$   
 $\beta = 34^\circ$   
 $\beta_L = 31.5^\circ$   
 $r_L = 226$  m  
 $r_2 = 88$  m

$P = 78.17$  m  
 $K = 90.00$  m  
 $L = 99.86$  m  
 $b_1 = 2.5$  m  
 $b_K = 18$  m  
 $b_A = 20$  m  
 $d = 62$  m  
 $q = 30$  m