

No.

206 / USA 12

3rd prolongation

**CERTIFICATE OF JUMPING HILL
CERTIFICAT DE CONFORMITE
SCHANZENPROFILBESTÄTIGUNG**

Date of issue 01.10.2022
Établi le
Ausgestellt am

Valid till 30.04.2027
Valable jusqu' au
Gültig bis

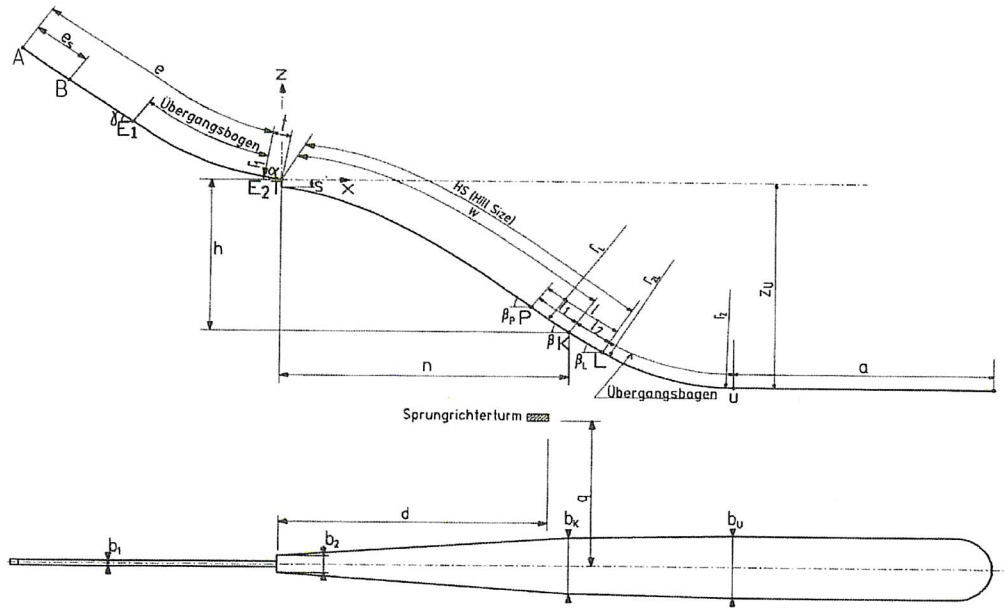
Place: Lake Placid

Name: Olympic Hill

HS = 128 m

h/n = 0,568

Vo = 25,87 m/s



$e_1 = 98,07 \text{ m}$		$l = 27,70 \text{ m}$	$z_U = 81,41 \text{ m}$
$e_2 = 70,28 \text{ m}$	43 gates $\acute{e} = 60\text{cm}$ (34/49cm)	$l_1 = 14,70 \text{ m}$	$P = 100,00 \text{ m}$
$e_s = 27,80 \text{ m}$		$l_2 = 13,00 \text{ m}$	$K = 115,00 \text{ m}$
$t = 6,89 \text{ m}$		$a = 95,00 \text{ m}$	$L = 128,00 \text{ m}$
$\gamma = 35,10^\circ$		$\beta_p = 36,60^\circ$	$b_1 = 2,50 \text{ m}$
$\alpha = 11,00^\circ$		$\beta = 34,10^\circ$	$b_2 = 6,92 \text{ m}$
$r_1 = 90,00 \text{ m}$		$\beta_L = 31,60^\circ$	$b_K = 23,28 \text{ m}$
$h = 56,66 \text{ m}$		$r_L = 269,50 \text{ m}$	$b_U = 25,32 \text{ m}$
$n = 99,70 \text{ m}$		$r_{2L} = 158,00 \text{ m}$	$d = 79,30 \text{ m}$
$s = 3,08 \text{ m}$		$r_2 = 98,00 \text{ m}$	$q = 46,75 \text{ m}$

Remarks / Bemerkungen

- inspection by Richard Kaiser (15th December 2021) and release at 28th September 2022
- the remarks of the inspectionreport must be observed and fulfilled for the validity of the certification.
- for fulfilling the (FIS ICR) standards of the jumpinghill, the owner is responsible during training and competition.

JUMPING HILL APPROVED BY THE FIS
TREMPLEIN HOMOLOGUE PAR LA FIS
DURCH DIE FIS GENEHMIGTE SPRUNGSCHANZE

SUB-COMMITTEE FOR JUMPING HILLS

CHAIRMAN:

Hans-Martin Renn