

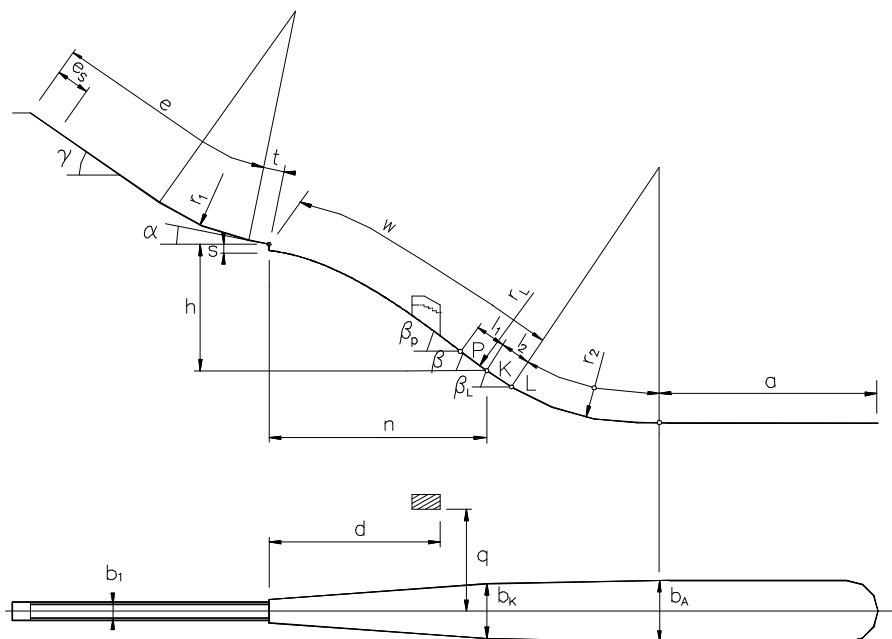
No. 202 / GER 25 2.Verlängerung

**CERTIFICATE OF JUMPING HILL**  
**CERTIFICAT DE CONFORMITE**  
**SCHANZENPROFILBESTÄTIGUNG**

Date of issue 26.07.2011 Valid till 31.12.2016  
Établi le Valable jusqu' au  
Ausgestellt am Gültig bis

Place: Garmisch-Partenkirchen Name: Mittlere Olympia

HS = 89 m h/n 0.54 Vo = 22.9m/s



e = 85.70 m	$l_1 = 6.53$ m	P = 73.47 m
$e_s = 19.00$ m	$l_2 = 8.70$ m	K = 80 m
t = 6.00 m	a = 90.00 m	L = 88.70 m
$\gamma = 30^\circ$	$\beta_p = 35.9^\circ$	$b_1 = 2.50$ m
$\alpha = 10.5^\circ$	$\beta = 33.9^\circ$	$b_k = 16.00$ m
$r_1 = 75.60$ m	$\beta_L = 31.2^\circ$	$b_A = 20.00$ m
h = 37.82 m	$r_L = 187.00$ m	d = 33.00 m
n = 70.04 m	$r_2 = 85.00$ m	q = 20.00 m
s = 2.50 m		

JUMPING HILL APPROVED BY THE FIS  
TREMPLIN HOMOLOGUE PAR LA FIS  
DURCH DIE FIS GENEHMIGTE SPRUNGSCHANZE

SUB-COMMITTEE FOR JUMPING HILLS

CHAIRMAN:

