

No. 391 / AUT 51 **1st prolongation**  
**CERTIFICATE OF JUMPING HILL**  
**CERTIFICAT DE CONFORMITE**  
**SCHANZENPROFILBESTÄTIGUNG**

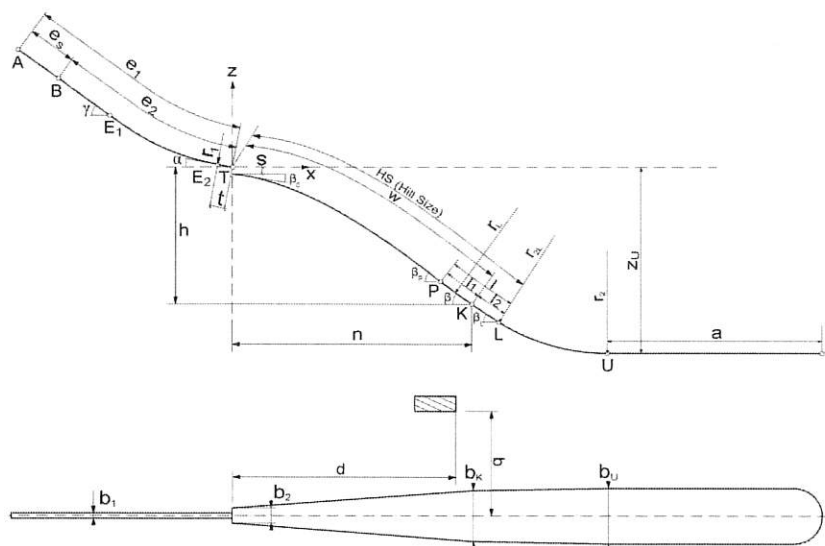
Date of issue 09.08.2019  
 Établi le  
 Ausgestellt am

Valid till 30.04.2024  
 Valable jusqu' au  
 Gültig bis

Place: Tschagguns

Name: HS 66

HS = 66 m h/n = 0,51 Vo = 21,50 m/s



$e_1 = 75,90 \text{ m}$		$l_1 = 3,84 \text{ m}$	$P = 54,00$
$e_2 = 58,62 \text{ m}$		$l_2 = 5,86 \text{ m}$	$K = 60,00$
$e_s = 15,00 \text{ m}$	24 gates á 32/55cm	$a = 82,00 \text{ m}$	$L = 66,00 \text{ m}$
$t = 5,80 \text{ m}$		$\beta_p = 35,55^\circ$	$b_1 = 2,00 \text{ m}$
$\gamma = 30,00^\circ$		$\beta = 33,55^\circ$	$b_2 = 5,00 \text{ m}$
$\alpha = 9,70^\circ$		$\beta_L = 30,50^\circ$	$b_K = 12,10 \text{ m}$
$r_1 = 75,28 \text{ m}$		$r_{2L} = 120,00 \text{ m}$	$b_U = 13,30 \text{ m}$
$h = 27,08 \text{ m}$		$r_2 = 89,00 \text{ m}$	$d = 25,10 \text{ m}$
$n = 53,10 \text{ m}$	Normaldruck max. =	$16,00 \text{ m/s}^2$	$q = 24,50 \text{ m}$
$s = 1,50 \text{ m}$			$\text{m}$
			$\text{m}$

**Remarks / Bemerkungen**

- inspection by Piere Bailly (2nd July 2019)
- the remarks of the inspection-report must be observed and fulfilled for the validity of the certification.
- for fulfilling the (FIS/ICR) standards of the jumpinghills, the owner is responsible during training and competition.
- the area "B" in front of the take off table must be covered with soft damp mats during training and competition.

JUMPING HILL APPROVED BY THE FIS  
 TREPLIN HOMOLOGUE PAR LA FIS  
 DURCH DIE FIS GENEHMIGTE SPRUNGSCHANZE

SUB-COMMITTEE FOR JUMPING HILLS

CHAIRMAN:

Hans-Martin Renn